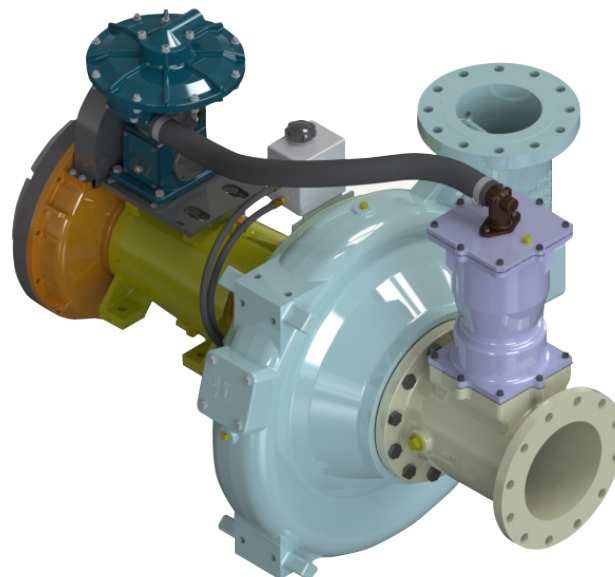


81024MX



AVAILABLE MOUNTING CONFIGURATIONS	
81024MX-F FRAME MOUNT	
81024MX-EM ENGINE MOUNT	
81024MX-RP-F REDI-PRIME FRAME MOUNT	
81024MX-RP-EM REDI-PRIME ENGINE MOUNT	

OPERATING LEVELS		
MIN FLOW	1300 GPM	295 m ³ /h
MAX FLOW	6150 GPM	1396 m ³ /h
DISCHARGE SIZE	8"	200 mm
SUCTION SIZE	10"	250 mm
SOLIDS HANDLING	2.38"	60 mm
MAX SPEED	1800 RPM	1800 RPM
SHUT-OFF HEAD	700'	213 m
BEP HEAD	552'	168 m
BEP FLOW	4700 GPM	1067 m ³ /h
BEP PERCENT	78%	78%



A typical picture of the pump is shown. Please contact Cornell Pump Company for further details. All information is approximate and for general guidance only.

PARTS	STANDARD MATERIAL
WEAR RING	420 STAINLESS STEEL
WEAR PLATE	420 STAINLESS STEEL
IMPELLER	CA6NM
VOLUTE	DUCTILE IRON
SHAFT	17-4 PH STAINLESS STEEL
SHAFT SLEEVE	416 STAINLESS STEEL
BACKPLATE	DUCTILE IRON
MECHANICAL SEAL	TUNGSTEN CARBIDE VS. SILICON CARBIDE
O-RINGS	BUNA-N, NITRILE
BEARING FRAME	F12DB CAST IRON

The 81024MX pump is designed with Cornell's renowned quality and durability. It features a 8" discharge, 10" suction, and enclosed impeller. Cornell's patented Cycloseal® design is standard, with a Type 2 single mechanical seal with Buna-N elastomers, stainless steel hardware and tungsten carbide vs. silicon carbide seal faces for abrasion resistance.

- Impeller wear ring optionally hardened to 375-425 bhn
- Volute wear plate optionally hardened to 450-500 bhn
- 3 or 4 vane enclosed CA6NM impellers
- Heavy Duty Bearing Frame
- Double angular contact thrust bearings
- CA6NM Impeller is corrosion-resistant and abrasion-resistant
- Industry-leading efficiencies
- Two year Warranty



AGRICULTURE



FOOD



INDUSTRIAL



MINING



MUNICIPAL



OIL & GAS



REFRIGERATION



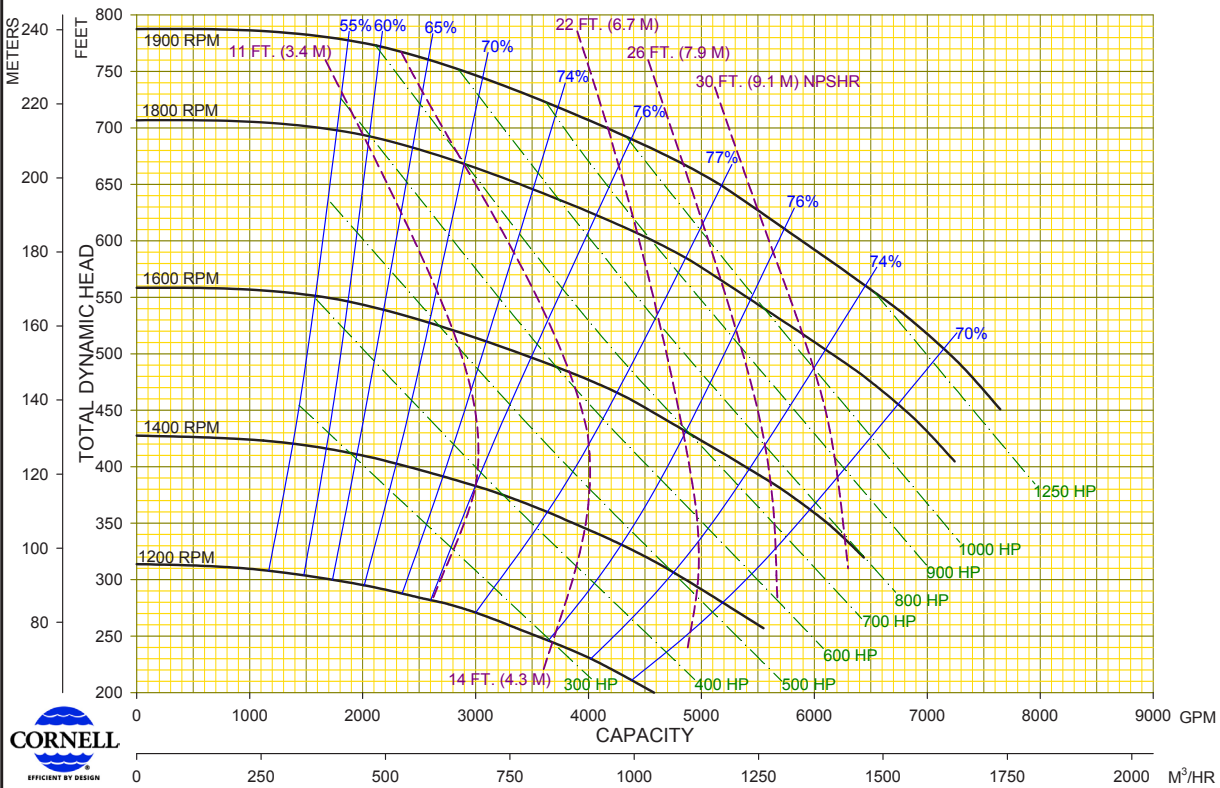
RENTAL

81024MX



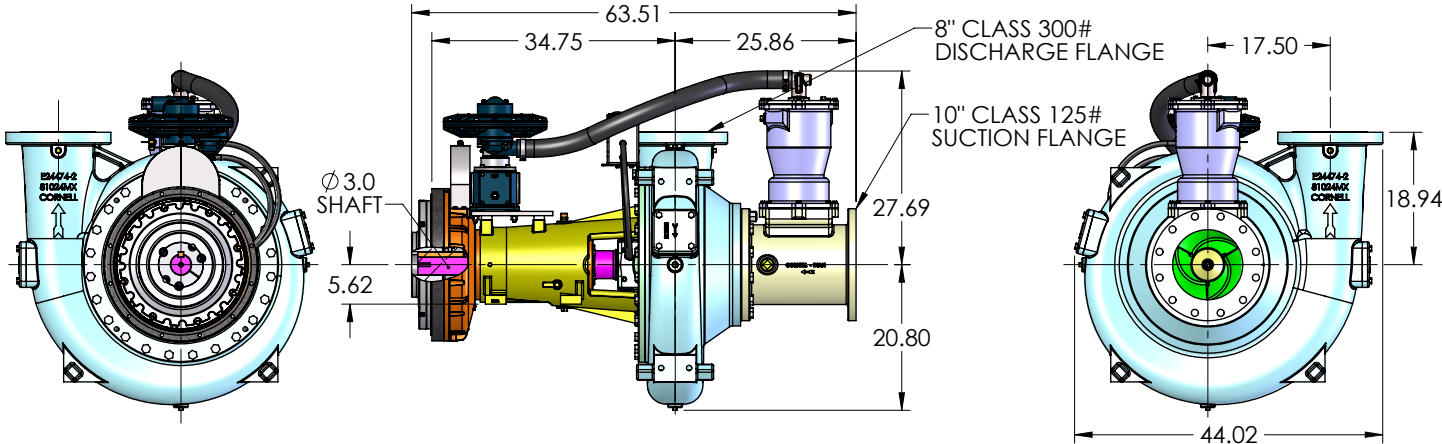
Performances shown are for S.G. 1.0
60°F water, frame mount configuration
with Cyclo Seal®. Other mounting styles
or S.G. may require curve adjustments.

Speed	Impeller Dia.	Style	Volute	Solids Dia.	N _s	Suction	Discharge	No. Vanes
VARIOUS	24.25"	ENCLOSED	DOUBLE	2.38"	1080	10"	8"	3



Cornell Pump Company • Clackamas, Oregon

02	04/11/16	CTG	MODEL : 81024MX	CURVE NO:
00	03/20/15	JG	TYPE : MX SERIES	81024MXVA



DS198-1511-GE